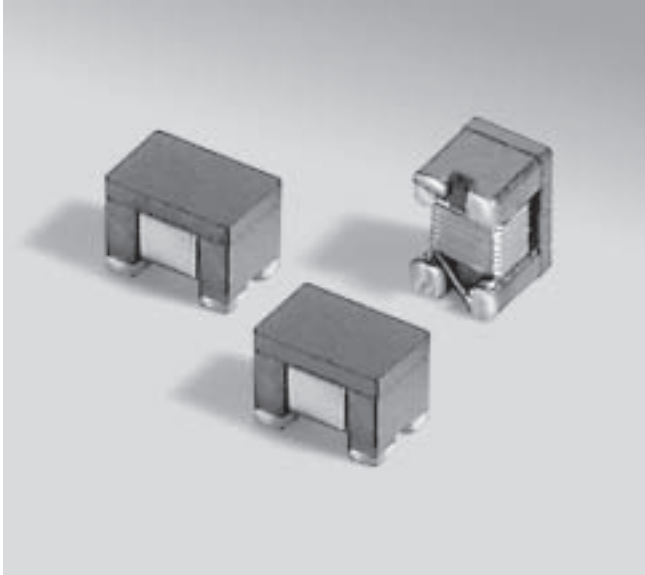


NEW!

USB 2.0 Common Mode Filter – 0805



These Coilcraft filters are designed to eliminate virtually all common mode noise in high-speed, differential mode signal transmission applications such as USB 2.0, IEEE1394 and LVDS. Most provide greater than 25 dB common mode attenuation and greater than 100 ohms impedance.

The low profile design and standard 0805 footprint make it the ideal solution for designs where board space is at a premium.

These dual-wound filters feature very low DC resistance and are available in eight values to meet your specific requirements.

To request free evaluation samples, contact Coilcraft or visit www.coilcraft.com.

Part number ¹	Common mode impedance typ (Ohms)			Common mode attenuation typ (dB)			Inductance ² ±20% (nH)	DCR max (Ohms)	Irms ³ (mA)
	10 MHz	100 MHz	500 MHz	10 MHz	100 MHz	500 MHz			
0805USB-421XMB_	14	42	70	1.1	2.3	8.4	33	0.12	500
0805USB-901XMB_	28	90	154	1.4	4.2	16.9	68	0.17	500
0805USB-172XMB_	57	170	303	2.3	6.7	22.0	120	0.25	500
0805USB-262XMB_	85	260	435	3.0	8.6	27.8	210	0.26	500
0805USB-372XMB_	118	370	641	4.5	11.9	34.3	270	0.32	500
0805USB-502XMB_	148	500	945	4.9	14.5	31.3	390	0.37	500
0805USB-672XMB_	246	670	1231	8.4	16.6	30.0	460	0.45	500
0805USB-902XMB_	294	900	1715	8.7	18.7	30.5	560	0.65	400

1. Specify **packaging** code:

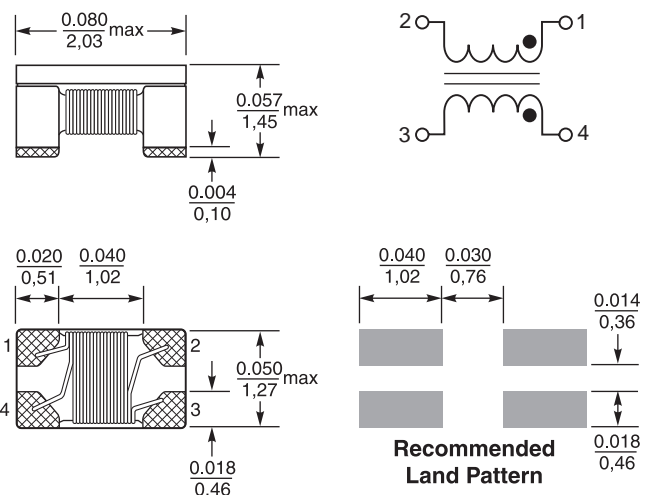
0805USB-902XMB C

Packaging: C = 7" machine-ready reel. EIA-481 embossed plastic tape (2000 parts per full reel).

B = Less than full reel. In tape, but not machine ready. To have a leader and trailer added (\$25 charge), use code letter C instead.

D = 13" machine-ready reel. EIA-481 embossed plastic tape (7500 parts per full reel).

- Inductance measured at 100 MHz using an Agilent/HP 4286A impedance analyzer and a Coilcraft SMD-A fixture.
- Average current for a 20°C rise from 25°C ambient.
- DCR and Irms are specified per winding.
- Operating temperature range -40°C to 85°C.
- Electrical specifications at 25°C.



Tape and reel: 2000/7" reel; 7500/13" reel 8 mm tape width
For packaging data see Tape and Reel Specifications section.

Coilcraft®

Specifications subject to change without notice. Document 306-1 Revised 12/15/03

1102 Silver Lake Road Cary, Illinois 60013 Phone 847/639-6400 Fax 847/639-1469

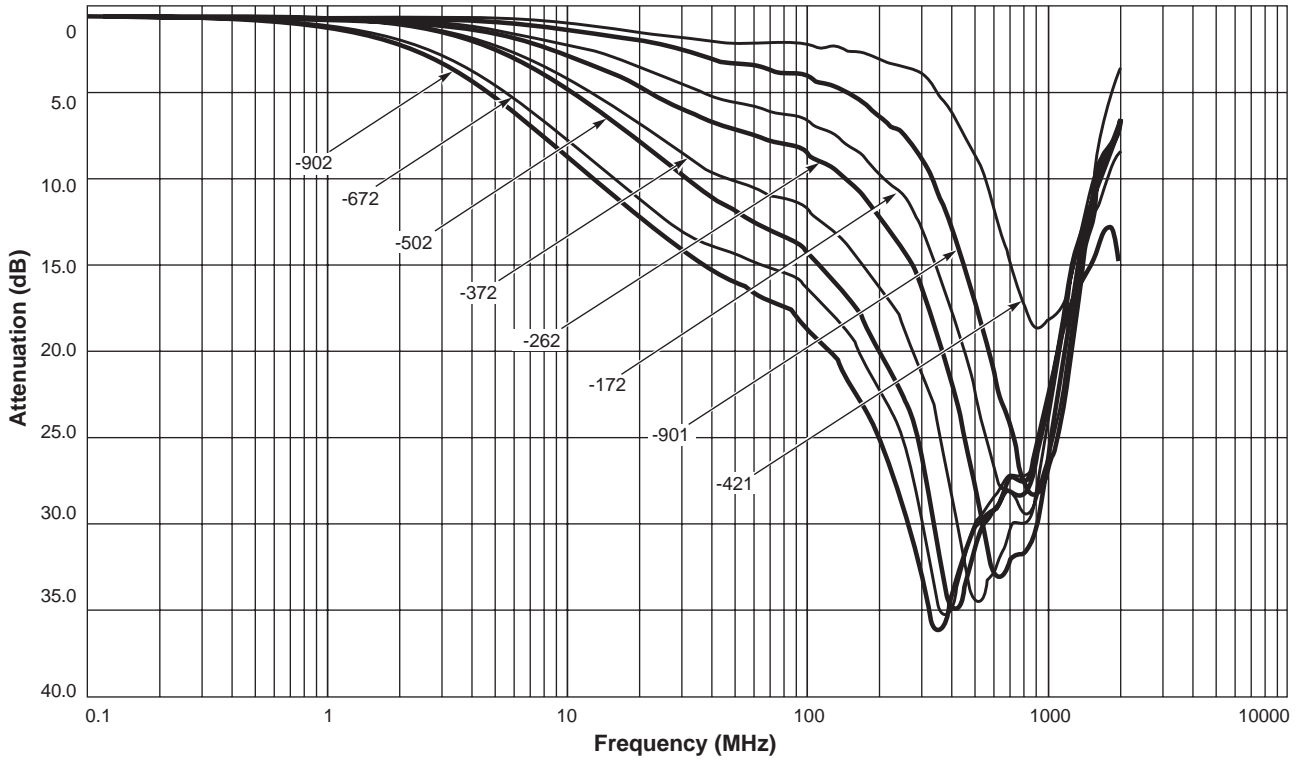
E-mail info@coilcraft.com Web <http://www.coilcraft.com>

NEW!

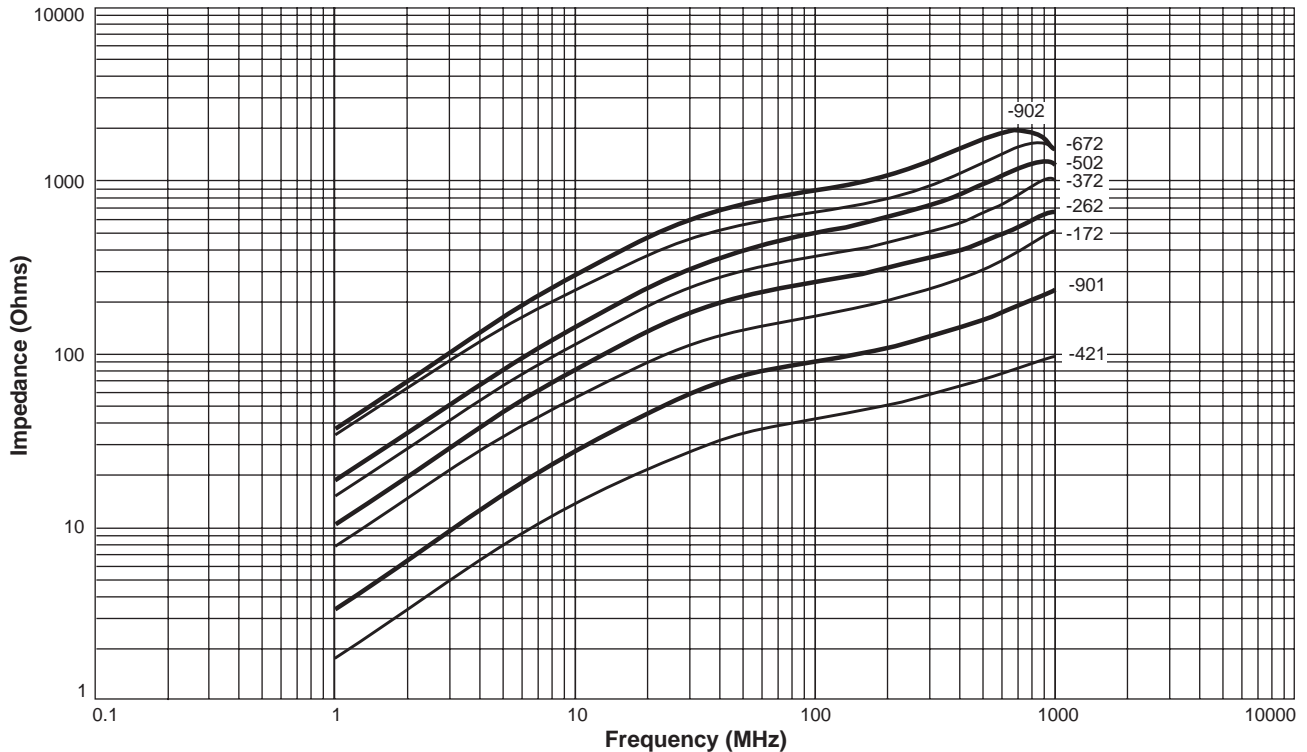


USB 2.0 Common Mode Filter – 0805

Typical Attenuation



Typical Impedance vs Frequency



Specifications subject to change without notice. Document 306-2 Revised 03/14/03

1102 Silver Lake Road Cary, Illinois 60013 Phone 847/639-6400 Fax 847/639-1469

E-mail info@coilcraft.com Web <http://www.coilcraft.com>